

brand	MAJOR
-------	-------

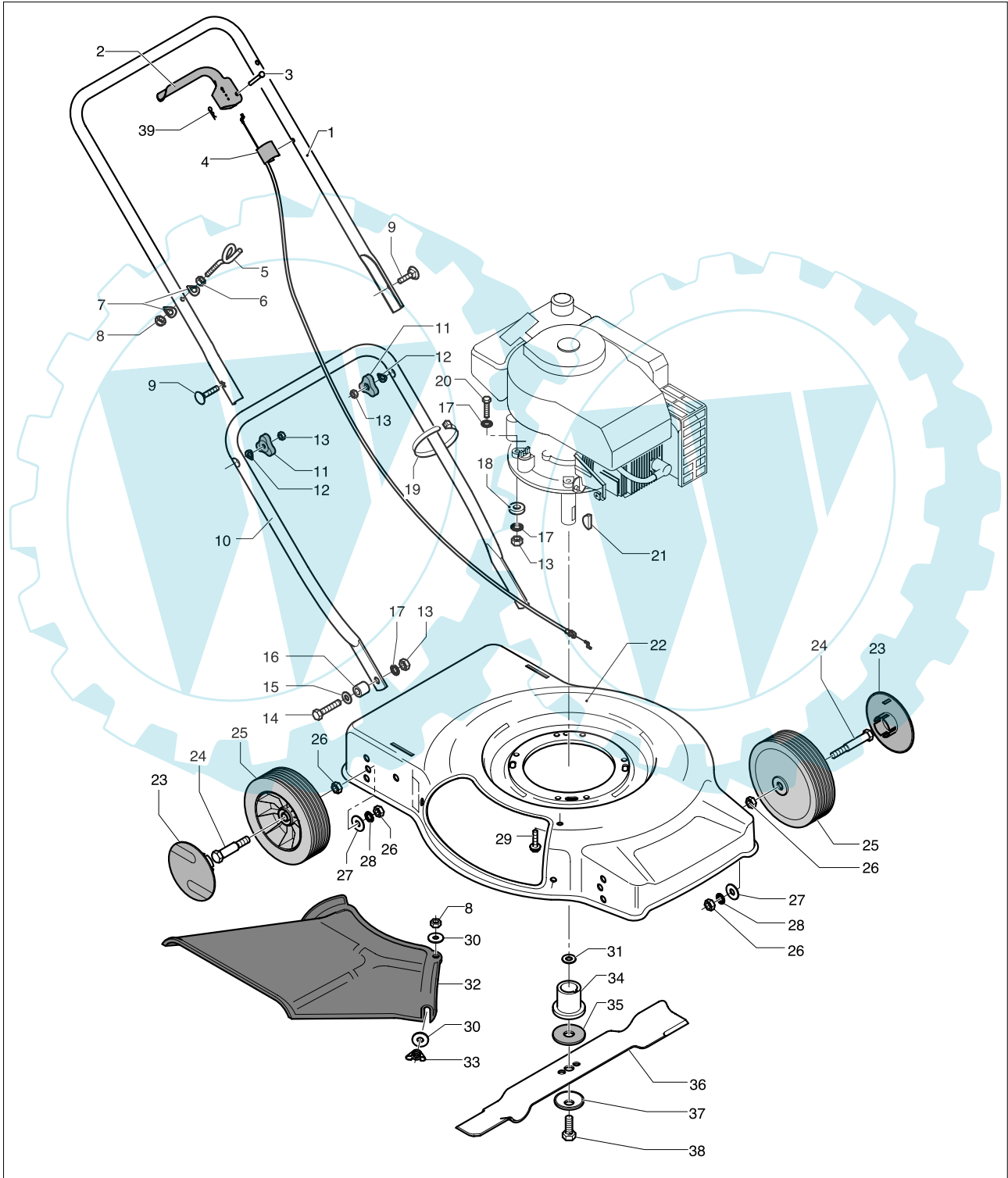
date	APR/03	SHEET 1/2
------	--------	-----------

Model

<b>MAJOR 50</b>

Product number

<b>9538781-40</b>



brand	<b>MAJOR</b>
-------	--------------

date	APR/03	SHEET 2/2
------	--------	-----------

<b>MAJOR 50</b>
-----------------

Pos	PN ELX	PN MEP	Q.ty	Note
1	531206069	10150123	1	HANDLE
2	531206027	10146633	1	LEVER
3	531207409	10651400	1	PIN
4	531206026	10146620	1	BRAKE CABLE
5	531205169	10121470	1	CABLE-HOOK
6	531207165	10501200	1	NUT
7	531204961	10115900	2	WASHER
8	531208491	20281800	2	NUT
9	531207089	10402401	2	SCREW
10	531206260	10158403	1	HANDLE
11	531204923	10114303	2	KNOB
12	531207090	10402402	2	WASHER
13	531207982	20106300	7	NUT
14	531207071	10396600	2	SCREW
15	531204922	10114200	2	WASHER
16	531206261	10158500	2	WASHER
17	531207981	20106200	8	WASHER
18	531205732	10140213	3	SPACER
19	531205581	10135600	1	CLAMP
20	531207044	10390800	3	SCREW
21	531204907	10100900	1	KEY
22	531211035	10177611	1	DECK
23	531206010	10146490	4	PLUG
24	531205042	10120090	4	SCREW
25	531206015	10146503	4	WHEEL
26	531207978	20101700	8	NUT
27	531207989	20113000	4	WASHER
28	531208974	30102100	4	WASHER
29	531208053	20122600	3	SCREW
30	531205377	10126000	3	WASHER
31	531207122	10428900	1	SPACER
32	531206238	10158363	1	DEFLECTOR
33	531206263	10158520	2	KNOB
34	531207242	10531600	1	BLADE-ADAPTER
35	531207243	10531700	1	WASHER
36	531206546	10177510	1	BLADE
37	531207237	10530900	1	WASHER
38	531208008	20120580	1	SCREW
39	531207408	10651300	1	PIN